

JPES Portable Gas Sampling Probe with Heated Sample Line



APPLICATION

- For portable applications
- For continuous gas sampling in processes with dust and humidity
- Removing aerosols and dust from gas sample
- Extractive gas analysis
- Designed for
 - Stack testers
 - Authorities (QAL-2)
 - Mobile back-up CEMS

BENEFITS

- Ready to use
- Compact
- Quick set up
- Easy operation
- Tool-less connectors
- No external parts needed

FEATURES

- All needed parts in 1 case: sampling pipe, sampling probe, heated line, filter elements, calibration gas inlet, mounting chains
- Zero cold spot technology
- No loose cables
- Only Quick On connectors
- Simple set up
- Quick heat up



JCT

Analysentechnik
GmbH

Gas Sampling Probes

Heated Sample
Lines

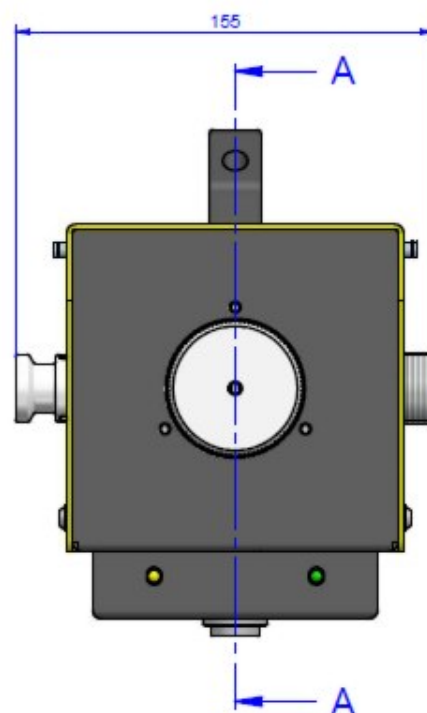
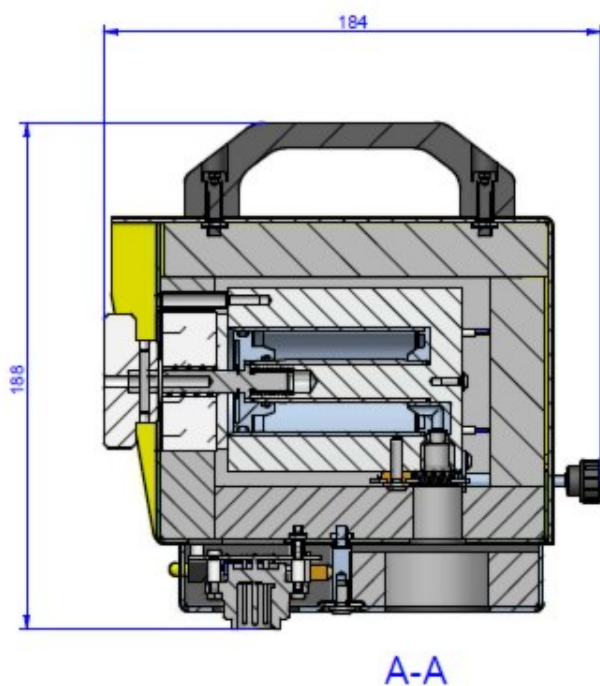
Sample Gas
Coolers

Gas
Converters

Accessories



TECHNICAL DATA

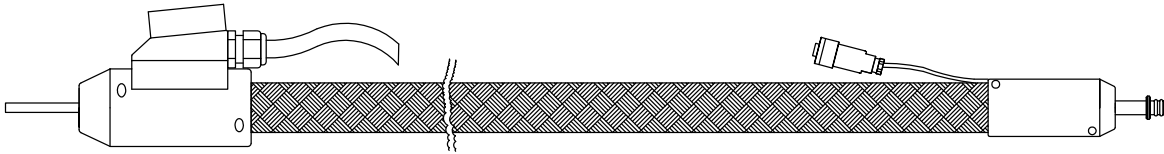


GAS SAMPLING PROBE SPECIFICATIONS	
Filter element types	Microfibre, PTFE, SS pore size 2 µm
Operating pressure	max. 50 kPa abs.
Flow rate	up to 200 NI/h, depending on filter element
Mounting flange	Flange adapter universal 20 - 80 mm
Mounting angle	range 5° to 15° sloping down
Connection sample gas	Quick On
Connection heated sample line	Quick On
Connection calibration gas	Quick On

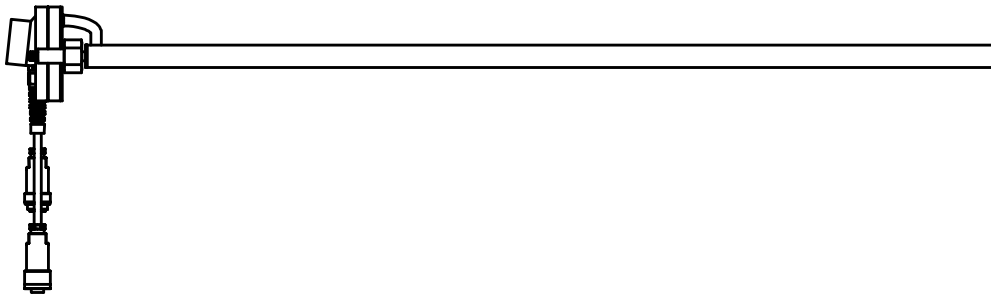
GAS SAMPLING PROBE SPECIFICATIONS	
Sample gas wetted parts	1.4571, Viton® (FKM)
Operating temperature	nominal +180°C max. +200°C
heat-up time	< 15 min
Ambient temperature	-20°C...+55°C
Power consumption	approx. 160 W
Heater element	PTC self limiting
Supply voltage	115 or 230 VAC 50/60 Hz
Inrush current	3 A
Status signal	Volt free contact
Protection class	IP 22
Weight	3,1 kg
Housing material	Sheet steel, powder coated
Housing colour	RAL 7037

TECHNICAL DATA

Heated Sample Line



Heated Sample Pipe



HEATED SAMPLE LINE SPECIFICATIONS	
Supply voltage	115 or 230 VAC 50/60 Hz
Power consumption	approx. 100 W/m
Heater	Integrated temperature controller
Protection shell	PA braided
Outer diameter	35 mm
Minimal bending radius	50 mm
Colour	black
Operating temperature	+180°C
Heat-up time	< 15 min
Fusing	external, on site
On-time	100%
Inner core	PTFE
Nominal width inner core	ID/OD 4/6 mm
Signal cord	2 x 0,75 ² , open endings
Power cord	IEC or country specific plug
Cable length	2 m each

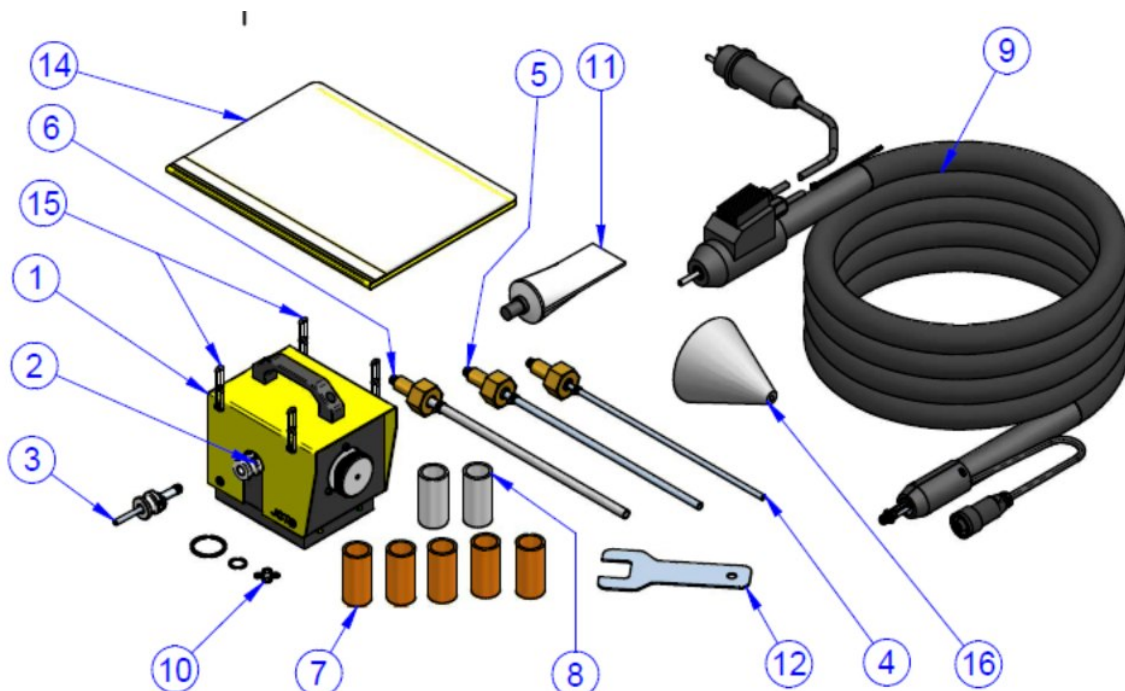
HEATED SAMPLE PIPE SPECIFICATIONS	
Supply voltage	115 or 230 VAC 50/60 Hz
Power consumption	approx. 400 W
Heater	Integrated temperature controller
Gas wetted parts	1.4571
Outer diameter	25 mm
Nominal width inner pipe	ID 4 mm
Connection pre-filter	Thread connector R3/8"
Length	1000; 1500; 2000 mm
Length over all	1110; 1610; 2110 mm
Weight	1,8; 3,0; 3,6 kg
Operating temperature	+180°C
Sample gas temperature	max. +250°C
Heat up time	< 15 min
Connector 7-pin	Power supply via heated hose
On-time	100%
Protection class	IP 54

ORDERCODE

JPES	
Part No.	Description
34.00100	JPESX, 115 VAC
34.00200	JPES, 230 VAC
34.00150	JPESX Starter Kit, 115 VAC
34.00250	JPES Starter Kit, 230 VAC
34.00180	JPESX Premium Kit, 115 VAC
34.00280	JPES Premium Kit, 230 VAC



JPES STARTER KIT - SCOPE OF DELIVERY		JPES PREMIUM KIT - SCOPE OF DELIVERY
1x Portable Gas Sampling Probe JPES	1	1x Portable Gas Sampling Probe JPES
1x Calibration gas tamping	2	1x Calibration gas tamping
	3	1x Calibration gas connector (on request with fitting)
	4	1x Sample pipe Ø6 mm, length 300 mm
	5	1x Sample pipe Ø8 mm, length 300 mm
1x Sample pipe Ø10 mm, length 300 mm	6	1x Sample pipe Ø10 mm, length 300 mm
1x Filter element microfibre	7	5x Filter element microfibre
	8	2x Filter element PTFE
1x Heated sample line 3 m	9	1x Heated sample line 5m
	10	1x O-ring set
	11	1x PTFE paste 113,4g Tube
1x Disassembling aid	12	1x Disassembling aid
1x carrying case	13	1x carrying case
1x Operating manual	14	1x Operating manual
1x Mounting chain (l=2x1m)	15	1x Mounting chain (l=2x1m)
1x Universal sample pipe adapter	16	1x Universal sample pipe adapter



ORDER CODE

SAMPLE PIPES (MAX. 600°C)

Part No.	Description
34.00307	1.4571, ID/OD 8/10 mm; L= 300 mm
34.00308	1.4571, ID/OD 8/10 mm; L= 500 mm
34.00309	1.4571, ID/OD 8/10 mm; L= 1000 mm
34.00304	1.4571, ID/OD 6/8 mm; L= 300 mm
34.00305	1.4571, ID/OD 6/8 mm; L= 500 mm
34.00306	1.4571, ID/OD 6/8 mm; L= 1000 mm
34.00301	1.4571, ID/OD 4/6 mm; L= 300 mm
34.00302	1.4571, ID/OD 4/6 mm; L= 500 mm
34.00303	1.4571, ID/OD 4/6 mm; L= 1000 mm

HEATED SAMPLE PIPES WITH INTEGRATED TEMPERATURE CONTROLLER

Part No.	Description
34.00610	230 VAC; L= 1000 mm
34.00615	230 VAC; L= 1500 mm
34.00620	230 VAC; L= 2000 mm
34.00710	115 VAC; L= 1000 mm
34.00715	115 VAC; L= 1500 mm
34.00720	115 VAC; L= 2000 mm



ACCESSORIES FOR HEATED SAMPLE LINES

Part No.	Description
34.00550	Adapter for third-party heated lines without Quick On connection



ACCESSORIES

Part No.	Description
34.00510	Calibration gas connector
34.00501	Mounting chain (2x1m)
K3419020	Disassembling aid (flat spanner)
on request	Stationary sampling point: sample gas connector with ferrule for screw in mounting
on request	Stationary sampling point: sample port with ferrule welded in mounting
K3419030	Mobile sample pipe adapter universal (cone-shaped for pipe diameter 20-60mm)

POSITIONING FLANGE FOR GRID MEASUREMENTS

Part No.	Description
34.00910	DN 65, PN6; DIN 2573; 1.4571
34.00900	3", 150 lbs, 1.4571
K3401001	O-ring for positioning flange

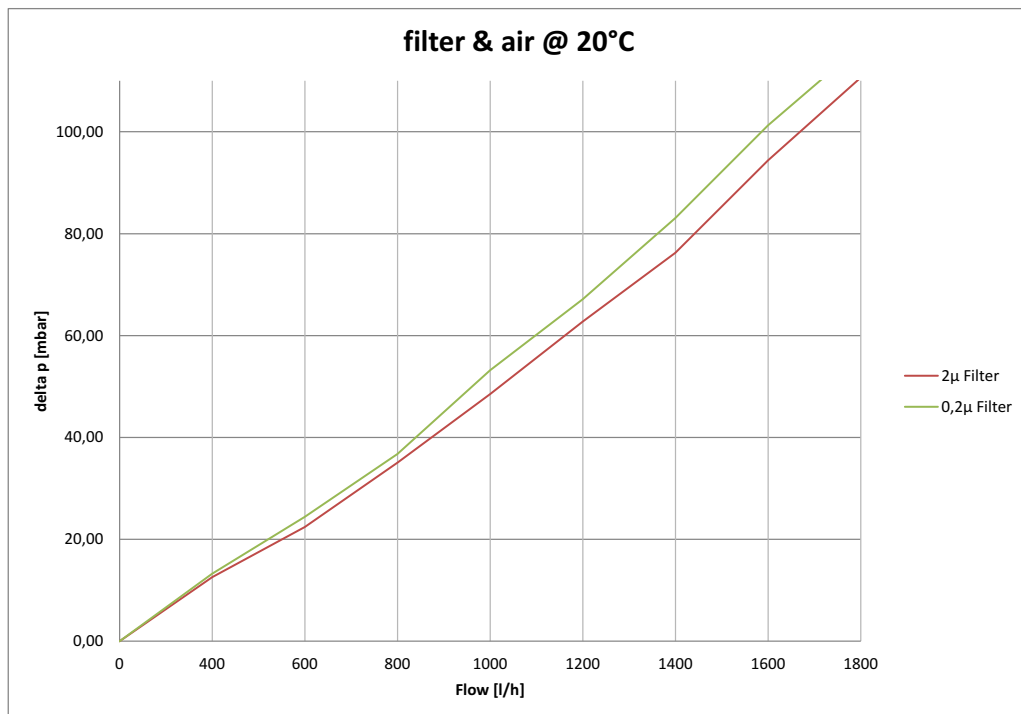


GAS FLOW DIAGRAM



FLOW DIAGRAM

Pressure Drop (with new filter)



Subject to change without notice.

PDS_D_JPES_v2.0

JCT Analystechnik GmbH

Werner Heisenberg-Straße 4 A-2700 Wiener Neustadt
 Tel. +43 (0) 2622 / 87201 Fax +43 (0) 2622 / 872011
 E-Mail: sales@jct.at Web: www.jct.at

